

1 | Knock-up / Furniture Frame Assembly



SN41 Series    SN50 series

2 | Brad to Door Casing



FN1850

3 | Drawer



FN1850    FS9040    US9716

4 | Caseback / Cabinet Face



FN1850    FS9040

5 | Fine trim



P635B    P650    P850    FN1850

6 | Upholstery



US series

7 | Angled Butt Joint



CFN-15S

8 | Box Frame Assembly



PN57 / PN58 / PN59    SN41 Series

9 | Spring to Base

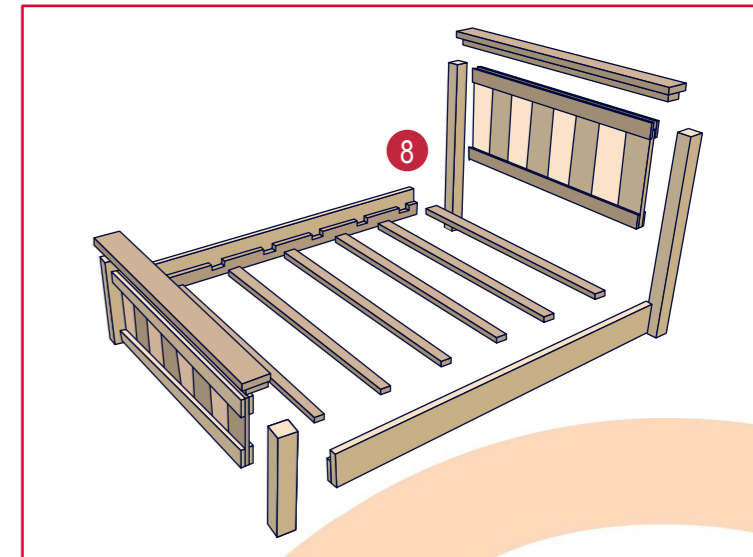
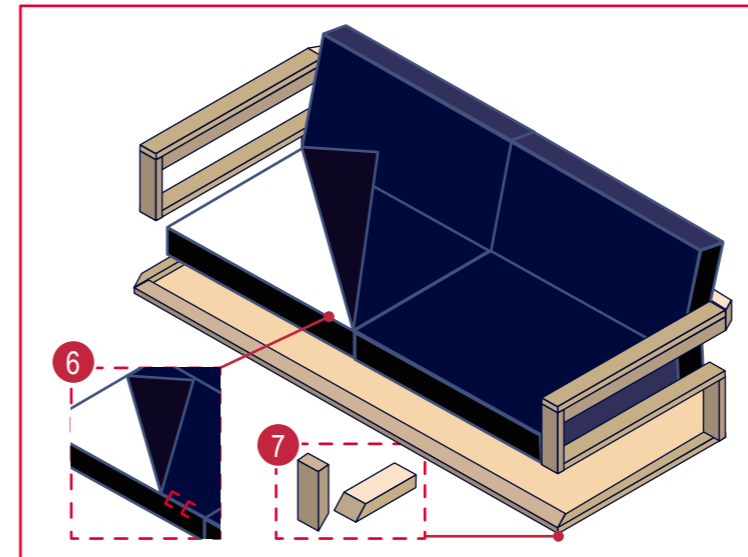
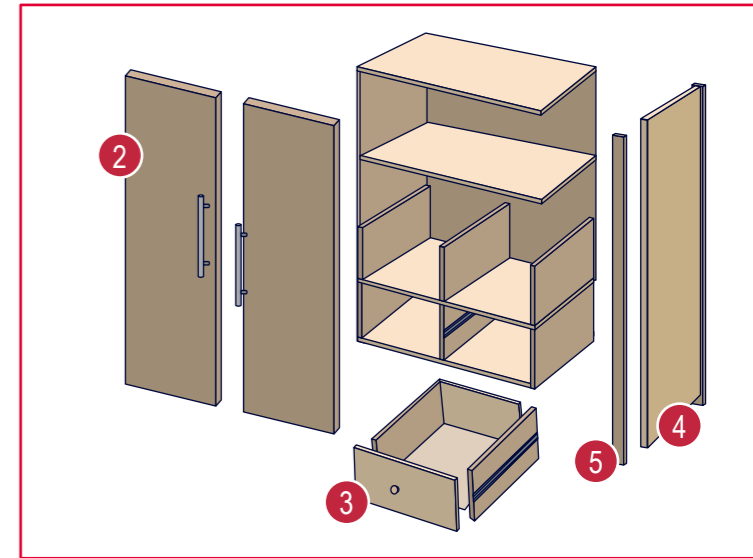
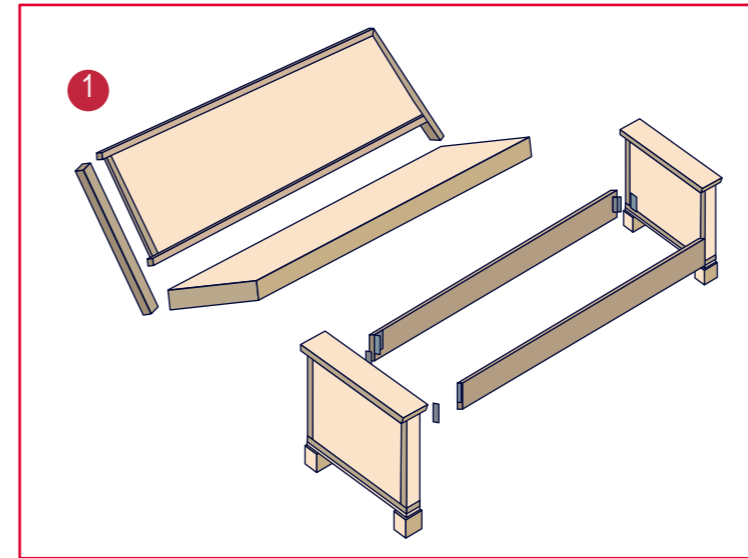


ECAR Series

10 | Flange to Spring / Pocketed Coil Securing



HR Series    DR Series



SN50S5 assembling a chair frame



P650 applying fine trim to a cabinet



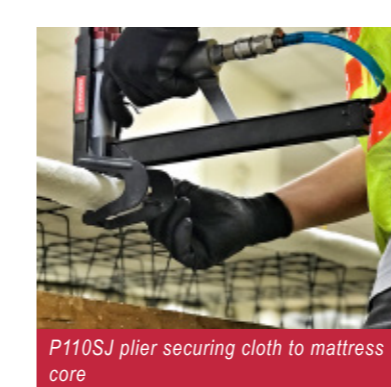
US7116 upholstering a sofa



ECAR Stapling foundation spring to flat members



DR-SR15 clinching pocketed coils to the outer flange



P110SJ plier securing cloth to mattress core

