

1 | Small Crating



FS9040 SN41 Series CFN-15S

2 | Medium Crating



PN51 PN57 / PN58 SN50

3 | Large Crating



PN65 PN80 PN90

4 | Corrugated Carton to Pallet



SN32-590W FS9240BC

5 | Export Crating : Bottom – (Pallet Jacks) Stringers and Deck Boards

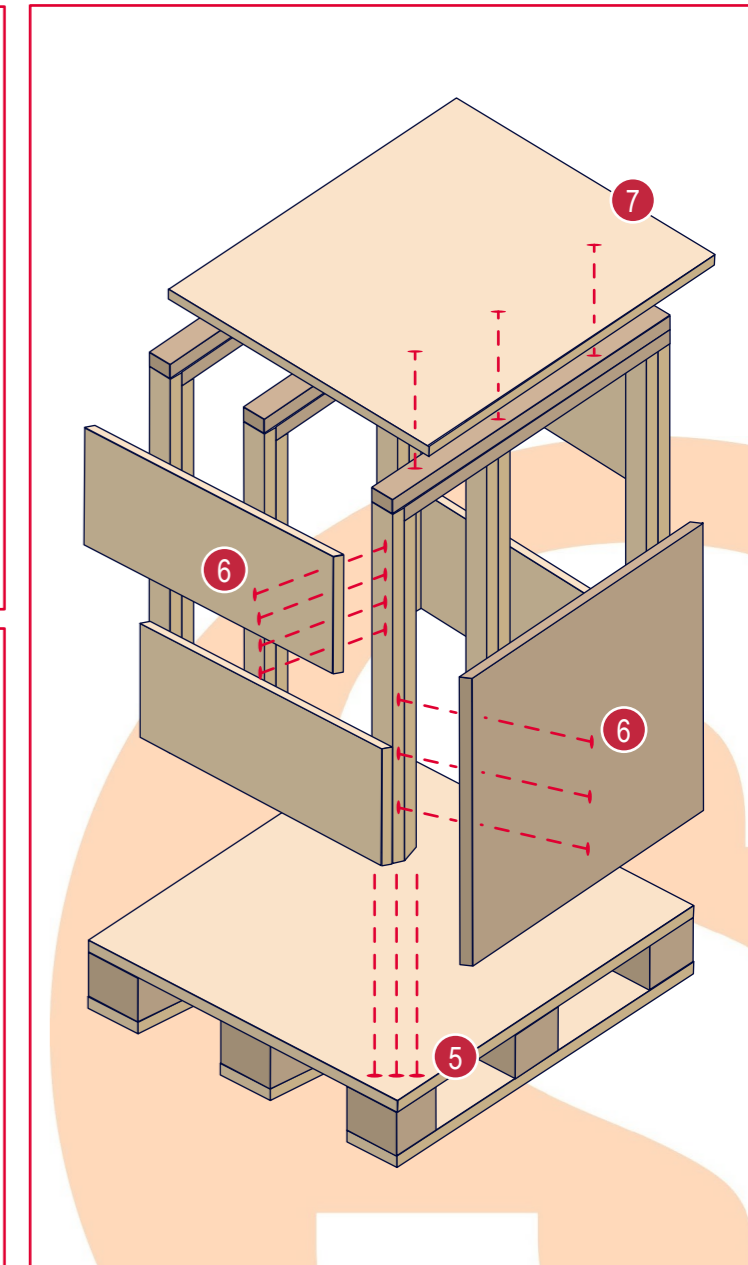
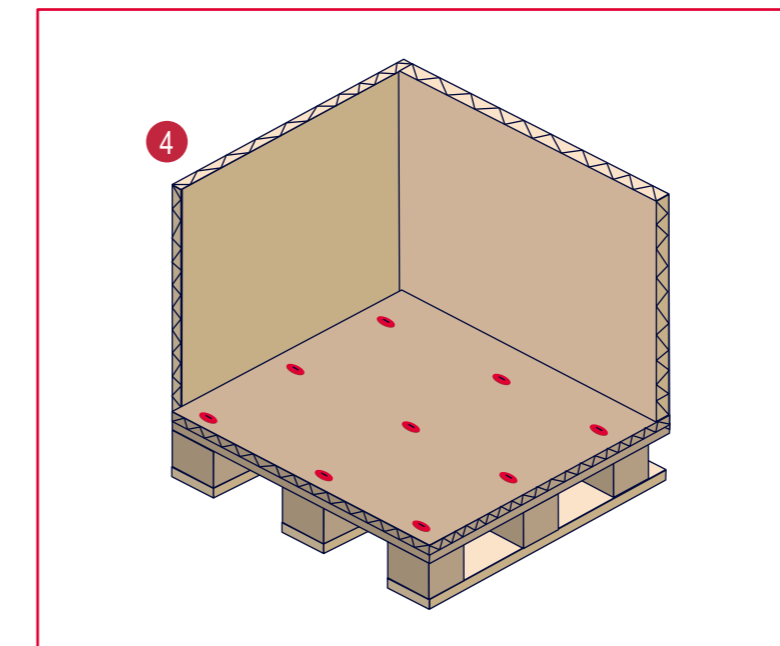
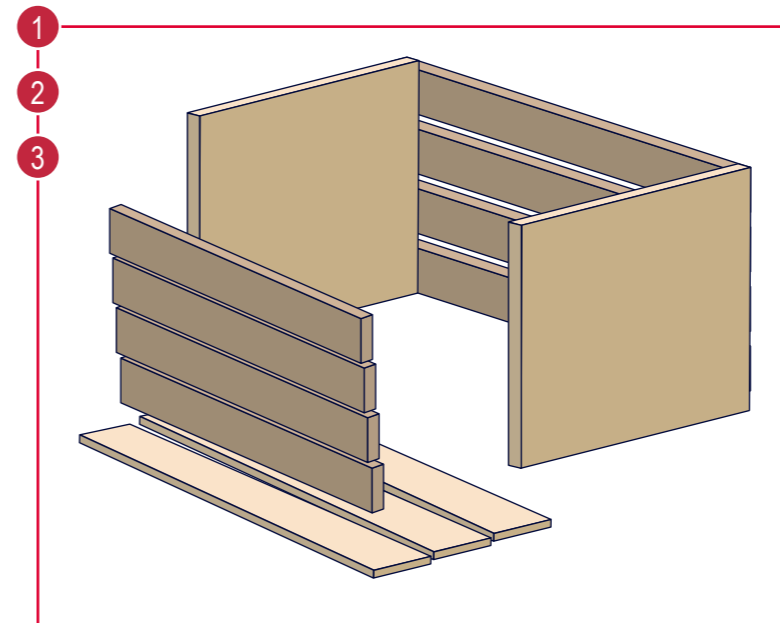


PN130B FSN130 FSN160

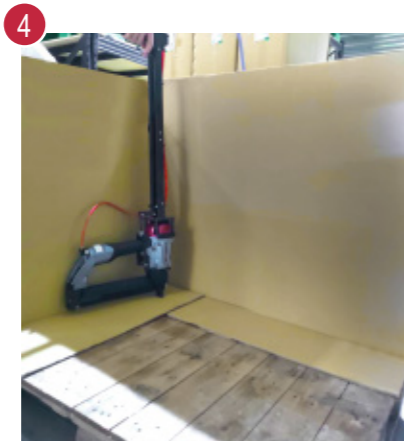
6 | Export Crating : Side Walls & 7 | Export Crating : Top Plate or Board



PN51 PN57 / PN58 / PN59 PN65M PN70 PN80 PN90



SN41S5 stapling a small wine crate



SN32-590W stapling carton to pallet on hard-to-reach spots



FSN160 securing deck boards to pallet jacks on a machinery crate